





PRODUCT NO.  
10026704-\*\*\*\*  
10026704-\*\*\*\*LF

DESCRIPTION : ABOVE PCB, DECK AND PUSH ROD LOCATION ARE AS VIEW BY USER.

LOWER DECK						
Ⓐ PRODUCT NO.	DIM. L	PUSH ROD LOCATION ③	P.C.B. SIDE ③	P.C.B LAYOUT RECOMMENDED	Ⓑ MATING RECEPTACLE	MOUNT STYLE TO PCB AND PUSH ROD SIDE
10026704-020CA/020CALF	2.2	RIGHT	ABOVE	SEE DRAWING P/N: TA-1052	↑ RECEPTACLE PART NUMBER: 91931-31169 91931-31169LF ↓	
10026704-040CA/040CALF	4.3					
10026704-050CA/050CALF	5.0					
10026704-120CA/120CALF	2.2	LEFT				
10026704-140CA/140CALF	4.3					
10026704-150CA/150CALF	5.0					
10026704-520CA/520CALF	2.2	RIGHT	BELOW			
10026704-540CA/540CALF	4.3					
10026704-550CA/550CALF	5.0					
10026704-620CA/620CALF	2.2	LEFT				
10026704-640CA/640CALF	4.3					
10026704-650CA/650CALF	5.0					

NOTES:

- 8mm MIN. CARD EJECT.
- EJECT TRAVEL: 9.5mm
- ③ PUSH ROD LOCATION AND P.C.B. SIDE ARE AS APPEARS INSTALLED.
- MATERIAL
  - 4.1 HEADER ASS'Y:  
PLASTIC : HOUSING ...LCP UL94V-0 BLACK  
PIN : COPPER ALLOY  
PCB : FR4
  - 4.2 EJECT MECHANISM ASS'Y:  
PLASTIC : GUIDE: POLYPHTHARAMID UL94V-0 BLACK  
: BUTTON: POLYPHTHARAMID UL94V-0, BLACK  
PLATE AND PUSH ROD : STAINLESS  
EMI CONTACT: PHOSPHOR BRONZE
- FINISH (PIN)
 



UNDER PLATING : 0.5 um MIN. Ni  
CONTACT AREA : 0.1 um MIN. GOLD OVER  
0.5 um MIN. Pd-Ni  
SOLDER TAIL(TIN LEAD OPTION): 2.5 um MIN. Sn-Pb  
SOLDER TAIL(LEAD FREE OPTION): 2.5 um MIN. PURE TIN
- DIM "X"

4.25±0.1	3.5±0.1	5.0±0.1
OTHERS	36,67	1,17,34,35,51,68

- IF LEAD FREE P/N. THE HOUSING WILL WITHSTAND EXPOSURE TO 260°C PEAK TEMPERATURE FOR 10 SECONDS IN A WAVE SOLDER APPLICATION WITH A 1.00MM MINIMUM THICK CIRCUIT BOARD.
- LEAD FREE PRODUCT MEETS EUROPEAN UNION DIRECTIVES AND OTHER COUNTRY REGULATIONS AS DISCRIBLED IN GS-22-008
- IF LEAD FREE P/N. PACKAGING MEETS GS-14-920 SPECIFICATION

ORDERING INFORMATION

NAME	PART NO.	Q'TY
Ⓐ EJECT HEADER ASS'Y	10026704-****	10026704-****LF
Ⓑ MATING RECEPTACLE	91931-31169	91931-31169LF

mat'l code		tolerance unless otherwise specified		CUSTOMER COPY		 www.fciconnect.com		
rev.	ecn no.	dr	date	linear	projection	title		
A	T03-0195	WL	05/23/03			EJECTOR HEADER ASS'Y		
B	T03-0209	WL	06/05/03			5.0V, SMT TYPE 1/2/3		
C	N04-0105	WB	11/26/04	angles		product family		
				dr		WENDY CHEN	04/18/03	PCMCIA
				enr		SPENCER LAI	04/18/03	code
				chr	SCOTT LU	04/18/03	size	
				appd	JENN TSAO	04/18/03	dwg no.	
sheet	revision	C	C	C	C	C	scale	
index	sheet	1	2	3	4	5	1:1	
							A3	
							10026704	
							sheet 1 OF 6	

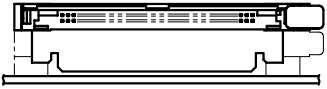
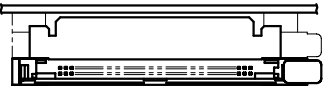
Tous droits strictement reserves. Reproduction ou communication a des tiers int sans autorisation écrite du propriétaire. FCI ELECTRONICS. Droits de reproduction BERG ELECTRONICS by

FCI


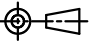
All rights strictly reserved. Reproduction or issue to third parties in any form without written authority from the proprietor. FCI ELECTRONICS. Copyright BERG ELECTRONICS by

PRODUCT NO.  
10026704-\*\*\*\*  
10026704-\*\*\*\*LF

DESCRIPTION : ABOVE PCB, DECK AND PUSH ROD LOCATION ARE AS VIEW BY USER.

UPPER DECK						
Ⓐ PRODUCT NO.	JOINT WITH LOWER DECK STAND-OFF HIGH(DIM. L)	PUSH ROD LOCATION Ⓞ	P.C.B. SIDE Ⓞ	P.C.B LAYOUT RECOMMENDED	Ⓑ MATING RECEPTACLE	MOUNT STYLE TO PCB AND PUSH ROD SIDE
10026704-025CA/025CALF	2.2	RIGHT	ABOVE	SEE DRAWING P/N: TA-1052	↑  RECEPTACLE PART NUMBER: 91931-31169 91931-31169LF  ↓	
10026704-045CA/045CALF	4.3					
10026704-055CA/055CALF	5.0					
10026704-125CA/125CALF	2.2	LEFT				
10026704-145CA/145CALF	4.3					
10026704-155CA/155CALF	5.0					
10026704-525CA/525CALF	2.2	RIGHT	BELOW			
10026704-545CA/545CALF	4.3					
10026704-555CA/555CALF	5.0					
10026704-625CA/625CALF	2.2	LEFT				
10026704-645CA/645CALF	4.3					
10026704-655CA/655CALF	5.0					
						

- NOTES:
1. IT CAN'T BE USED FOR SINGLE DECK.
  2. IT MUST BE ASSEMBLED BY USER FOR DOUBLE DECK APPLICATION.

mat'l code		tolerance unless otherwise specified		CUSTOMER COPY		 www.fciconnect.com	
rev.	ecn no.	dr	date	linear	projection	title	
A						EJECTOR HEADER ASS'Y 5.0V, SMT TYPE 1/2/3	
C				angles		product family	
				dr		unit	PCMCIA
				enr	mm/inch	size	dwg no.
				chr	scale	A3	10026704
				appd	1:1		sheet
sheet	revision						2 of
index	sheet						

Tous droits strictement reserves. Reproduction ou communication a des tiers int  
 sans autorisation écrite du propriétaire.  
 propriété de BERG ELECTRONICS  
 Droits de reproduction BERG ELECTRONICS by

All rights strictly reserved. Reproduction or issue to third parties in any for  
 without written authority from the proprietor.  
 without written authority from the proprietor.  
 Copyright BERG ELECTRONICS by

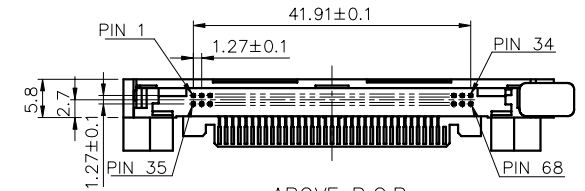
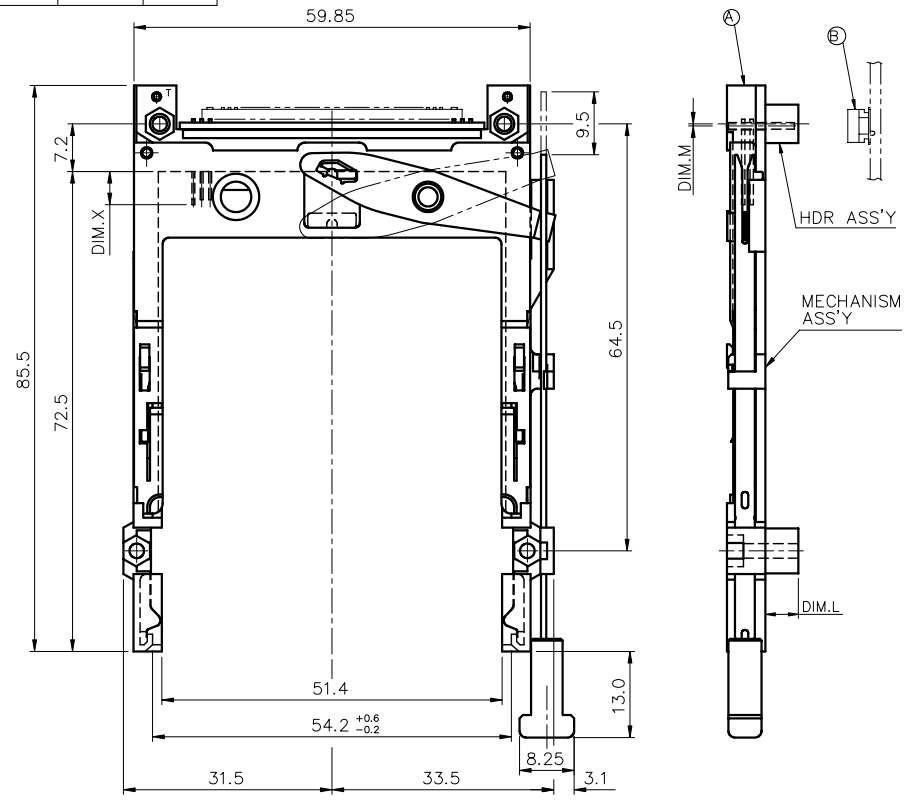
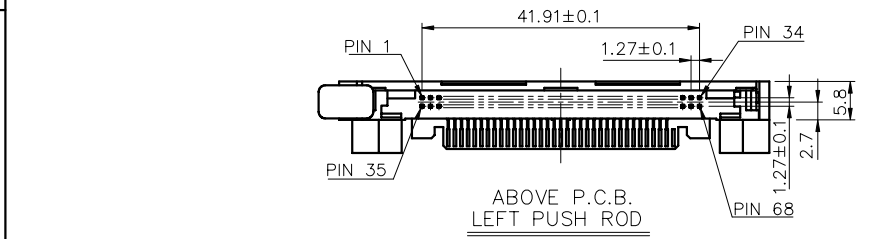
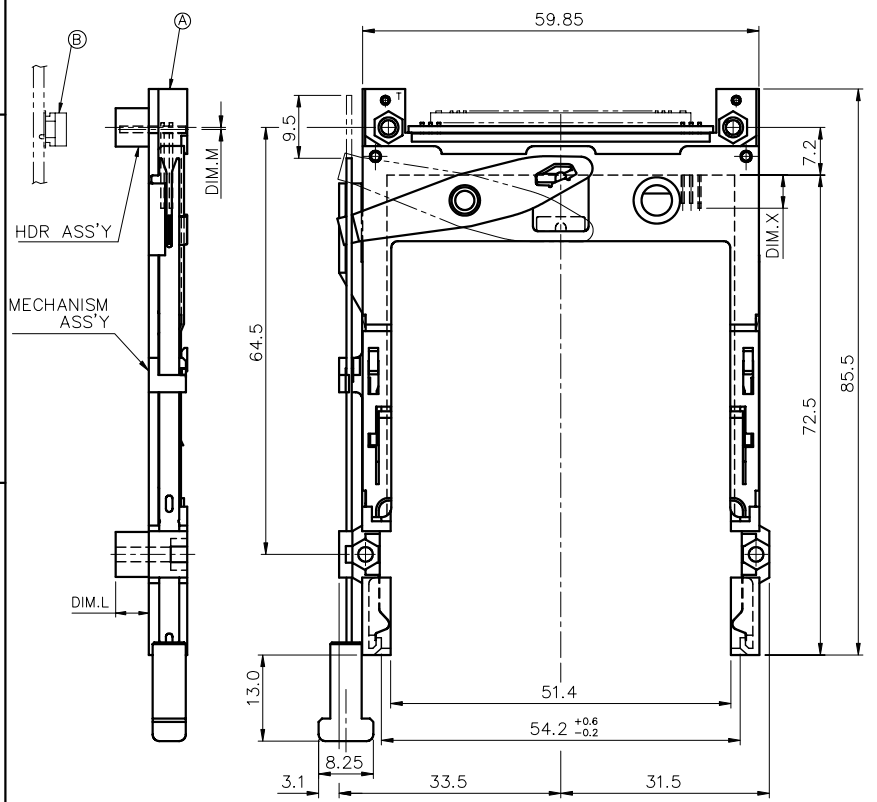
**FCI**

Tous droits strictement réservés. Reproduction ou communication à des tiers sans autorisation écrite du propriétaire. Copyright BERG ELECTRONICS by

All rights strictly reserved. Reproduction or issue to third parties in any form without written authority from the proprietor. Copyright BERG ELECTRONICS by

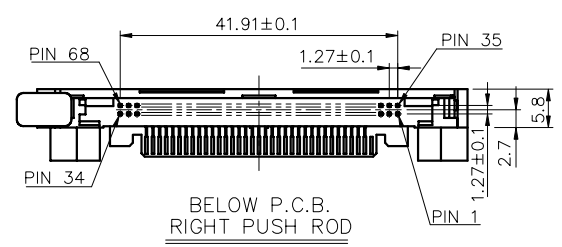
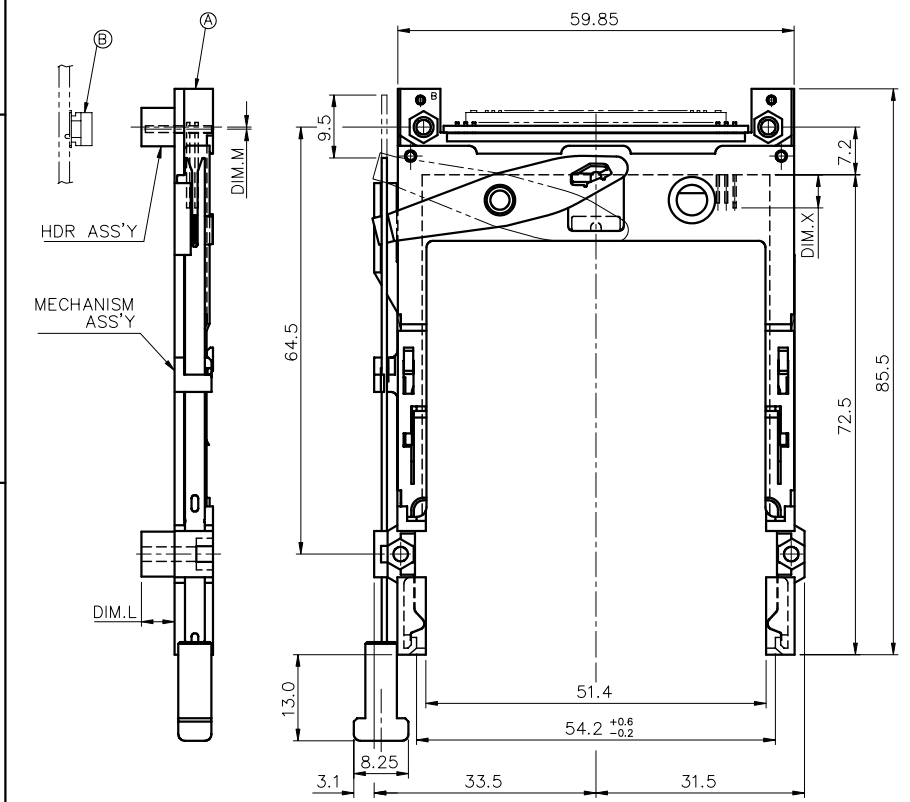
PRODUCT NO.	DIM.M	DIM.L
10026704-120CA/120CALF	2.15	2.2
10026704-140CA/140CALF	-0.3	4.3
10026704-150CA/150CALF	-0.3	5.0

PRODUCT NO.	DIM.M	DIM.L
10026704-020CA/020CALF	2.15	2.2
10026704-040CA/040CALF	-0.3	4.3
10026704-050CA/050CALF	-0.3	5.0

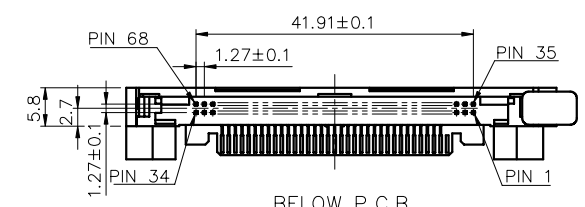
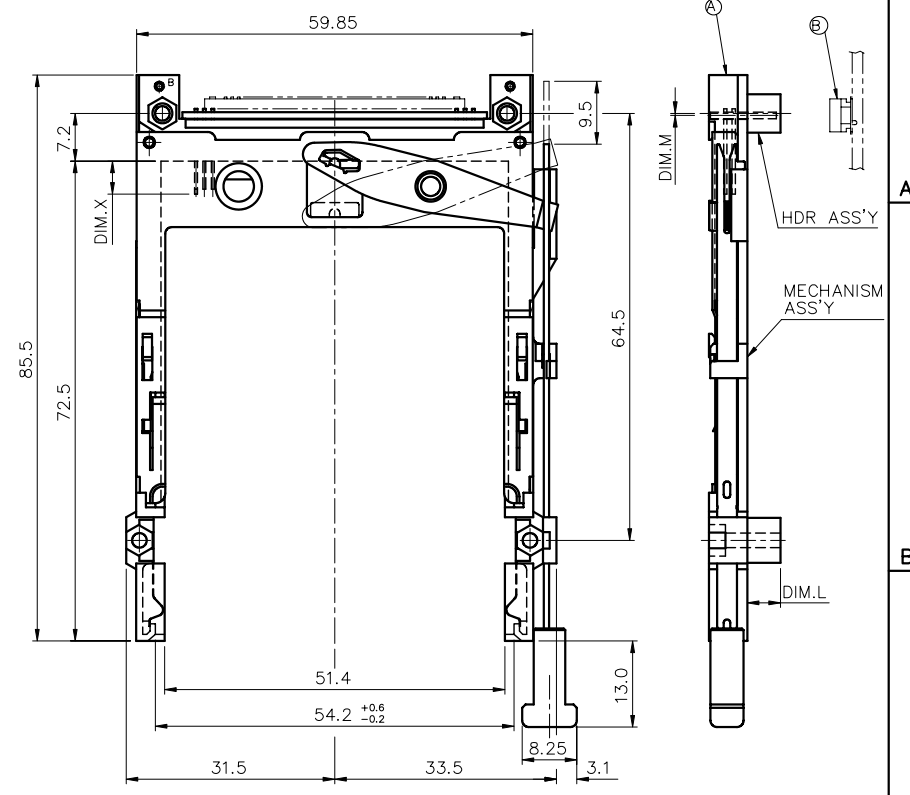


mat'l code		tolerance unless otherwise specified		CUSTOMER COPY		 www.fciconnect.com	
rev.	ecn no.	dr	date	linear	± 0.30	projection	title
B				angles	± 2°		EJECTOR HEADER ASS'Y
C				dr	WENDY CHEN 04/18/03	unit	5.0V, SMT TYPE 1/2/3
				enrg	SPENCER LAI 04/18/03	mm/inch	product family
				chr	SCOTT LU 04/18/03	scale	PC10CA
				appd	JENN TSAO 04/18/03	1.2:1	code
sheet	revision						size
index	sheet						A3
							dwg no.
							10026704
							sheet
							3 of

PRODUCT NO.	DIM.M	DIM.L
10026704-520CA/520CALF	2.15	2.2
10026704-540CA/540CALF	-0.3	4.3
10026704-550CA/550CALF	-0.3	5.0



PRODUCT NO.	DIM.M	DIM.L
10026704-620CA/620CALF	2.15	2.2
10026704-640CA/640CALF	-0.3	4.3
10026704-650CA/650CALF	-0.3	5.0

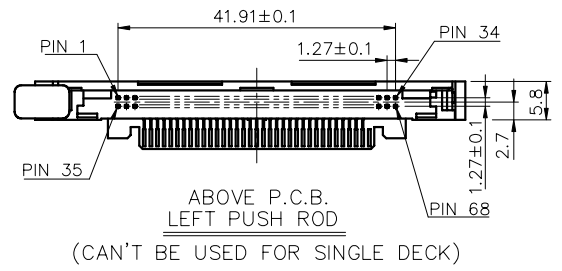
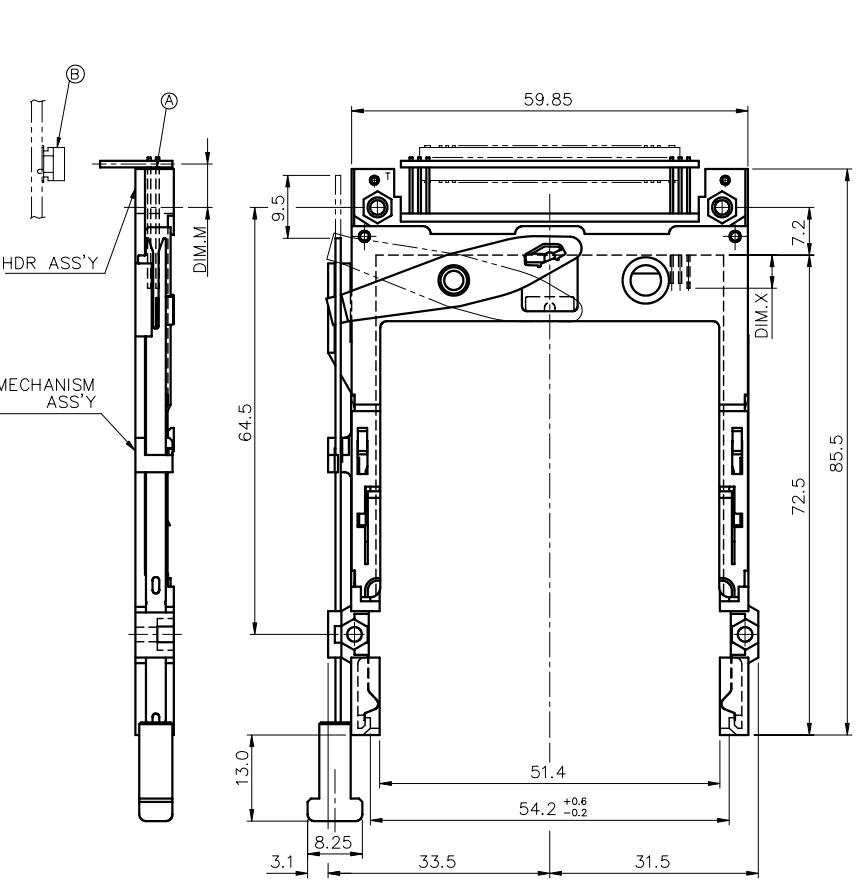


mat'l code		tolerance unless otherwise specified		CUSTOMER COPY		 www.fciconnect.com	
rev.	ecn no.	dr	date	linear	± 0.3	projection	title
B				angles	± 2°		EJECTOR HEADER ASS'Y
C				dr	WENDY CHEN 04/18/03	unit	5.0V, SMT TYPE 1/2/3
				enr	SPENCER LAI 04/18/03	mm/inch	
				chr	SCOTT LU 04/18/03	size	product family
				appd	JENN TSAO 04/18/03	scale	PCMCIA
sheet	revision					1.2:1	code
index	sheet						size
							dwg no.
							A3
							10026704
							sheet
							4 of

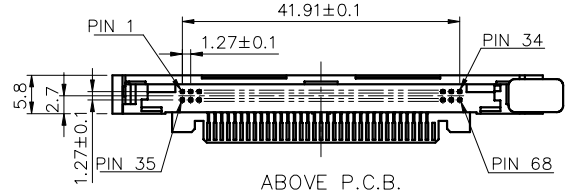
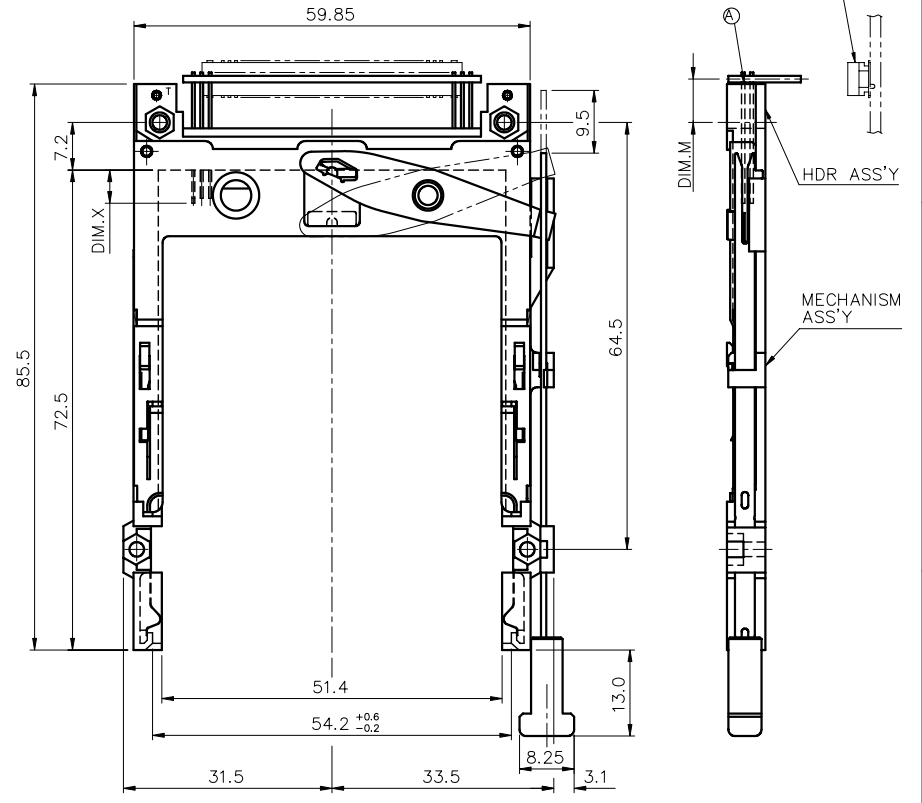
Tous droits strictement réservés. Reproduction ou communication à des tiers sans autorisation écrite du propriétaire. Copyright BERG ELECTRONICS by

All rights strictly reserved. Reproduction or issue to third parties in any form without written authority from the proprietor. Copyright BERG ELECTRONICS by

PRODUCT NO.	DIM.M
10026704-125CA/125CALF	9.0
10026704-145CA/145CALF	6.55
10026704-155CA/155CALF	6.55



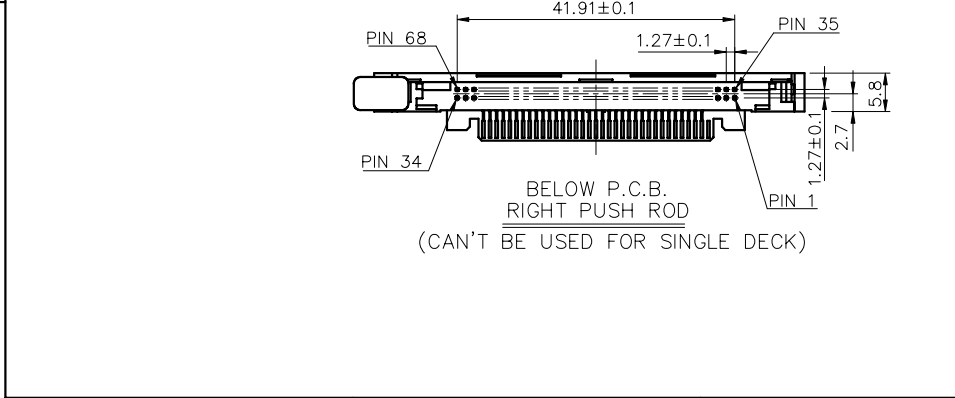
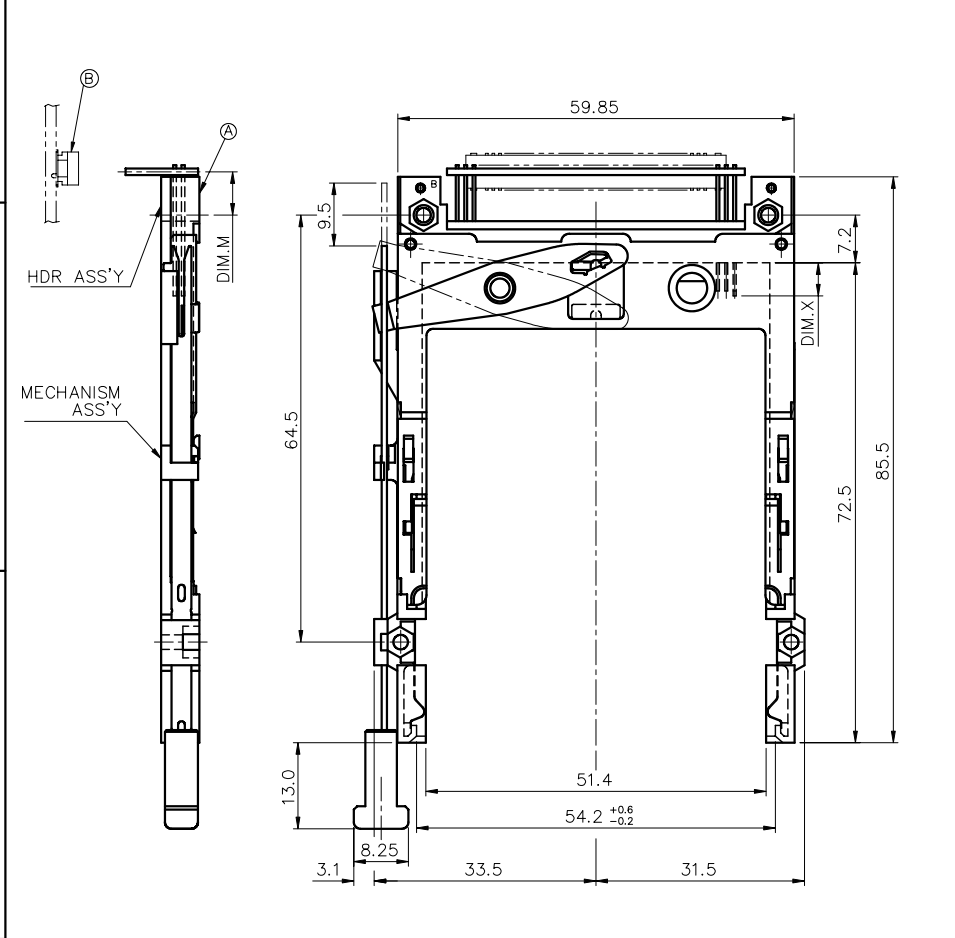
PRODUCT NO.	DIM.M
10026704-025CA/025CALF	9.0
10026704-045CA/045CALF	6.55
10026704-055CA/055CALF	6.55



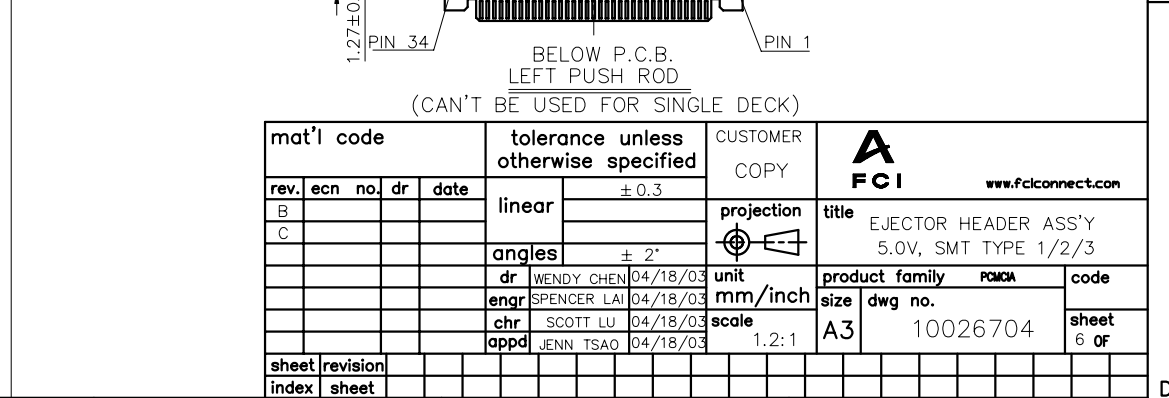
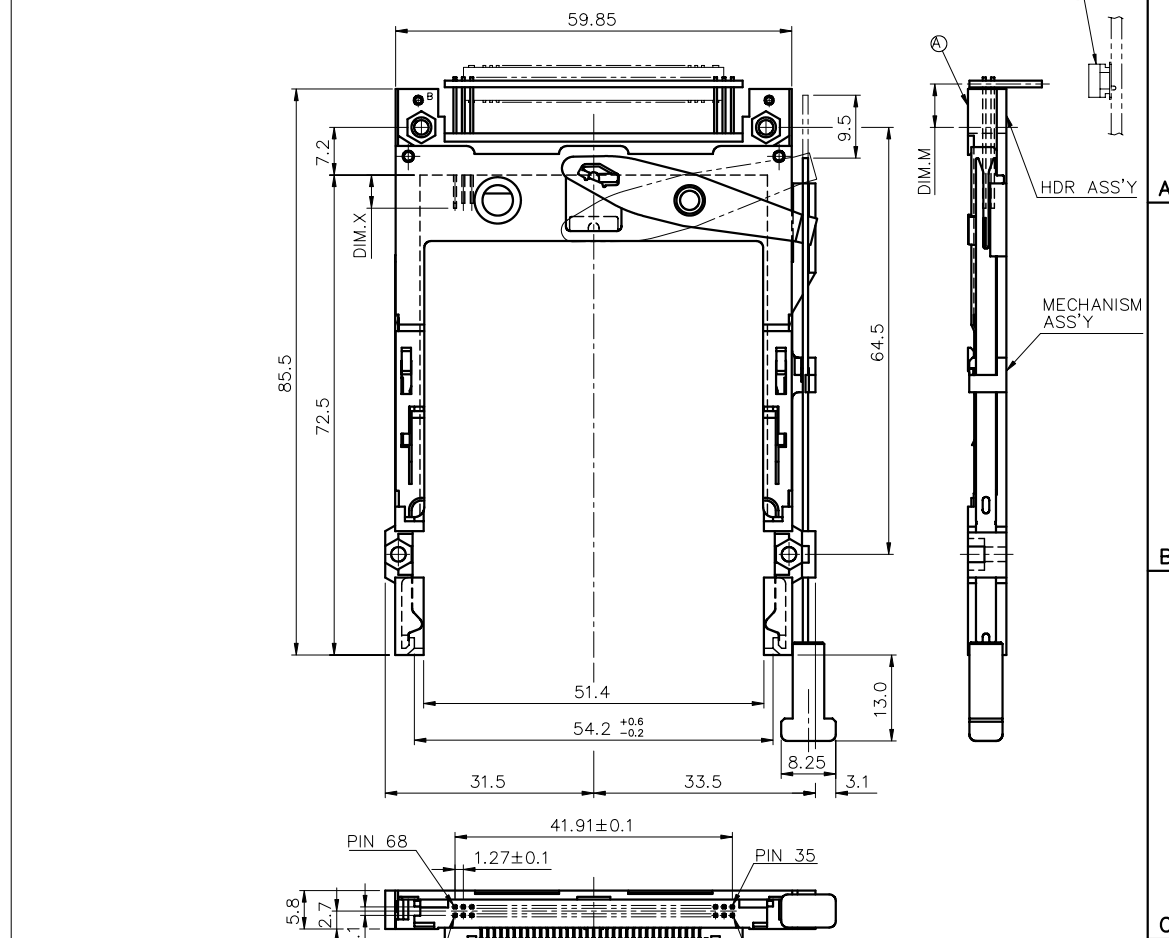
mat'l code		tolerance unless otherwise specified		CUSTOMER COPY		 www.fciconnect.com	
rev.	ecn no.	dr	date	linear	±0.30	projection	title
B				angles	± 2°		EJECTOR HEADER ASS'Y 5.0V, SMT TYPE 1/2/3
C				dr	WENDY CHEN 04/18/03	unit	product family
				enrg	SPENCER LAI 04/18/03	mm/inch	PCMCIA
				chr	SCOTT LU 04/18/03	scale	code
				appd	JENN TSAO 04/18/03	1.2:1	
sheet	revision						product family
index	sheet						size
							dwg no.
							A3
							10026704
							sheet
							5 of

All rights strictly reserved. Reproduction or issue to third parties in any form or by any means, electronic or mechanical, including photocopying, recording, or by any information storage and retrieval system, without written authority from the proprietor. Copyright BERG ELECTRONICS by  
 Tous droits strictement réservés. Reproduction ou communication à des tiers sous quelque forme que ce soit, sans autorisation écrite du propriétaire. Copyright BERG ELECTRONICS by

PRODUCT NO.	DIM.M
10026704-525CA/525CALF	9.0
10026704-545CA/545CALF	6.55
10026704-555CA/555CALF	6.55



PRODUCT NO.	DIM.M
10026704-625CA/625CALF	9.0
10026704-645CA/645CALF	6.55
10026704-655CA/655CALF	6.55



mat'l code		tolerance unless otherwise specified		CUSTOMER COPY		 www.fciconnect.com	
rev.	ecn no.	dr	date	linear	±0.3	projection	title
B				angles	± 2°		EJECTOR HEADER ASS'Y
C				dr	WENDY CHEN 04/18/03	unit	5.0V, SMT TYPE 1/2/3
				enr	SPENCER LAI 04/18/03	mm/inch	
				chr	SCOTT LU 04/18/03	size	product family
				appd	JENN TSAO 04/18/03	scale	PCMCIA
						1.2:1	code
sheet	revision						size
index	sheet						dwg no.
							A3
							10026704
							sheet
							6 of